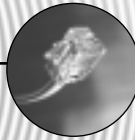


DX-80™

Digital Extension Terminal
Programming Guide and Worksheets

C O M D I A L D X - 8 0



COMDIAL®
The Rising Star™

COMDIAL®
The Rising Star™

Comdial Corporation
106 Cattlemen Road
Sarasota, Florida
34232

1-800-COMDIAL

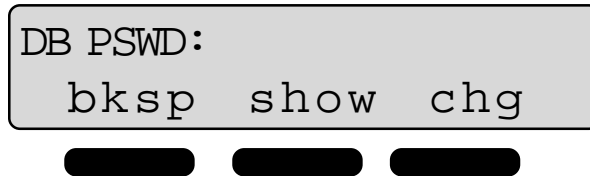
www.comdial.com

Table of Contents

Using this Guide	3
Extension Programming	7
CO Line Programming	11
Call Handling	13
System Resources	21
Toll Restriction Programming	27
Extension Applications	31
CO Line Applications	35
System Applications	37
Extension Data Programming	50
CO Line Data Programming	52
Call Handling	54
System Resource	57
Toll Restriction	59
Extension Applications	60
CO Applications	61
System Applications	62

Using this Guide

This guide is designed to allow you to quickly access the feature programming options. The DX-80 KSU can be programmed from either a Digital Extension Terminal (DET) or from a PC using the PC-DBA program.



There are 3 "soft" keys that allow you to select one of the options on the bottom row of the LCD. For instance, in the above example, the left soft key will act as a "backspace" key, the center soft key will act as a "show" key, and the right soft key will act as a "change" key (to clear the current entry). Here is a list of all of the soft key definitions:

back	Returns you to the previous menu item
next	Displays the next menu item
chg	Clears the current entry and allows you to retype the entry
bksp	Acts as a backspace key
show	Shows you the options for the current field
save	Saves the current entry. NOTE: for most entries, there is no save soft key. These entries are saved automatically when you leave the menu item.

In addition to the soft keys, you can use the Volume keys and the Hold key:

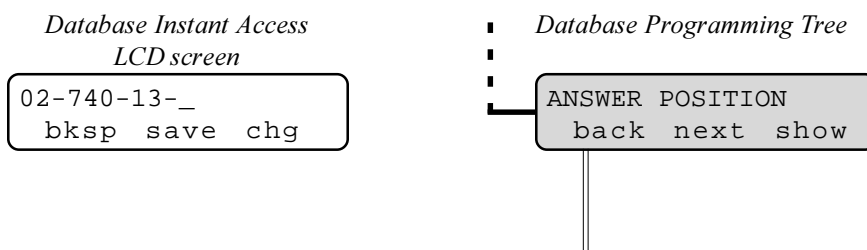
Volume	Exits the current menu item and returns you to the db Item Select screen to allow you to quickly jump to a desired destination in the database.
Hold	This key returns you to the previous menu level.

Conventions:

The DET database programming section of this manual consists of all of the screens available for programming from the DET. Each page is divided into two sections. The far left column contains the Database Instant Access code. The right columns contain the database programming tree.

To access any menu item using the db Item Select code, access database programming by pressing **FEATURE#*#** followed by the password. By default, the password is **#####** (8 #'s). Press the **show** key. The current display will have a blank top row. Enter the Database Instant Access code, followed by the **save** soft key. From within any programming screen, press the Volume key on the DET to return to the Database Instant Access screen.

Example:



01 - _
bksp save chg

1. EXTENSION
back next show

Extension
Programming

02 - _
bksp save chg

2. CO LINE
back next show

CO Line
Programming

03 - _
bksp save chg

3. CALL HANDLING
back next show

Call
Handling

04 - _
bksp save chg

4. SYS RESOURCE
back next show

System
Resources

05 - _
bksp save chg

5. RESTRICTION
back next show

Toll Restriction
Programming

06 - _
bksp save chg

6. EXT APPLICAT.
back next show

Extension
Applications

07 - _
bksp save chg

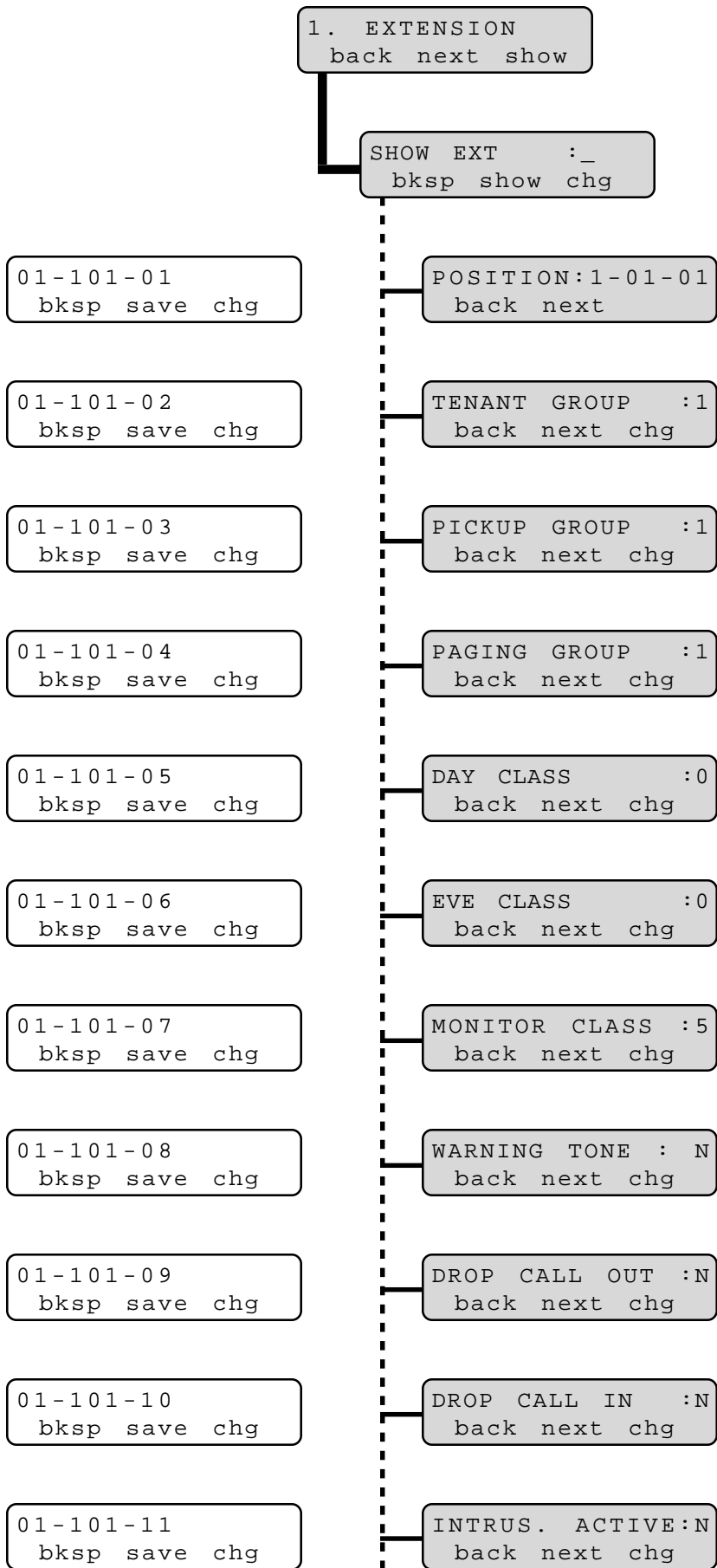
7. CO APPLICAT.
back next show

CO Line
Applications

08 - _
bksp save chg

8. SYS APPLICAT.
back next show

System
Applications



01-101-12
bksp save chg

01-101-13
bksp save chg

01-101-14
bksp save chg

01-101-15
bksp save chg

01-101-16
bksp save chg

01-101-17
bksp save chg

01-101-18
bksp save chg

01-101-19
bksp save chg

01-101-20
bksp save chg

01-101-21
bksp save chg

01-101-22
bksp save chg

INTRUS. ACCEPT:Y
back next chg

INTRUS. TONE :Y
back next chg

OHVA ACTIVE :Y
back next chg

OHVA ACCEPT :Y
back next chg

FEATURE BTN :N
back next chg

PAGING ALLOW :Y
back next chg

ECF OPERATION :N
back next chg

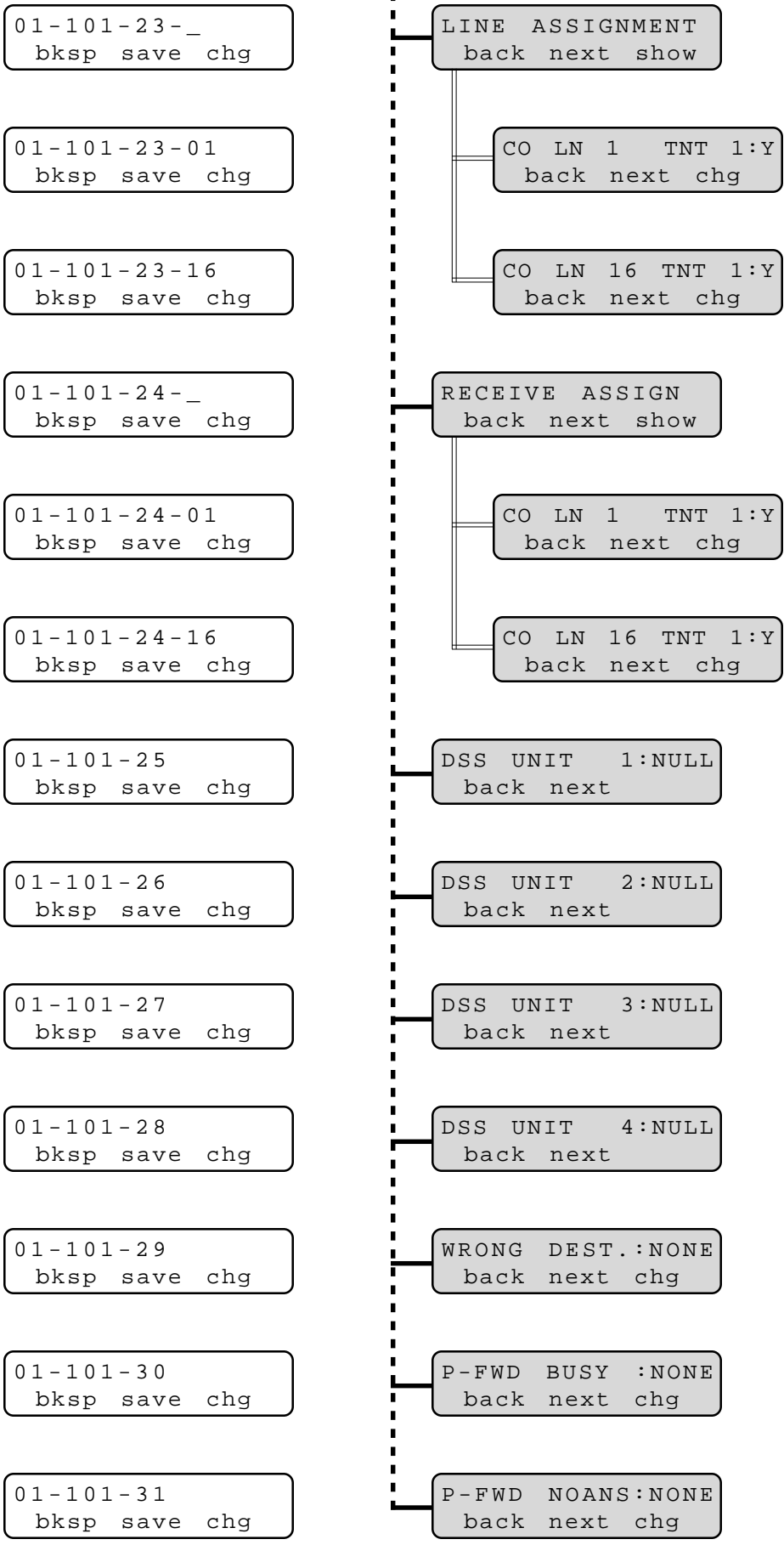
SMDR OUTPUT :Y
back next chg

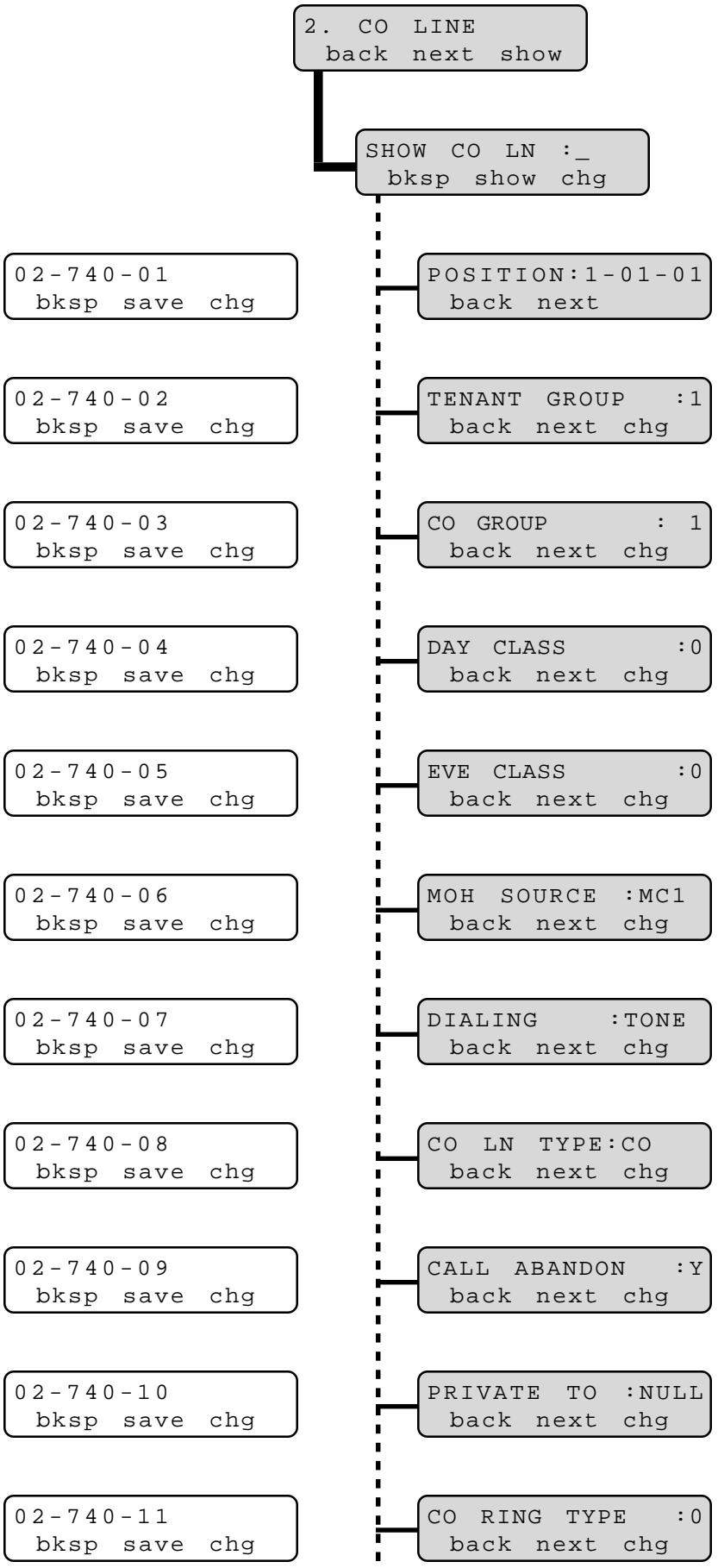
RECORD ALLOW :N
back next chg

PORT TYPE :EXT
back next chg

DIR NO. SWAPPING
back next show

SWAP WITH :_
bksp save chg





02-740-12
bksp save chg

02-740-13-_
bksp save chg

02-740-13-01-_
bksp save chg

02-740-13-01-01
bksp save chg

02-740-13-01-06
bksp save chg

02-740-13-02
bksp save chg

02-740-13-03
bksp save chg

PRIVACY RLS. :N
back next chg

ANSWER POSITION
back next show

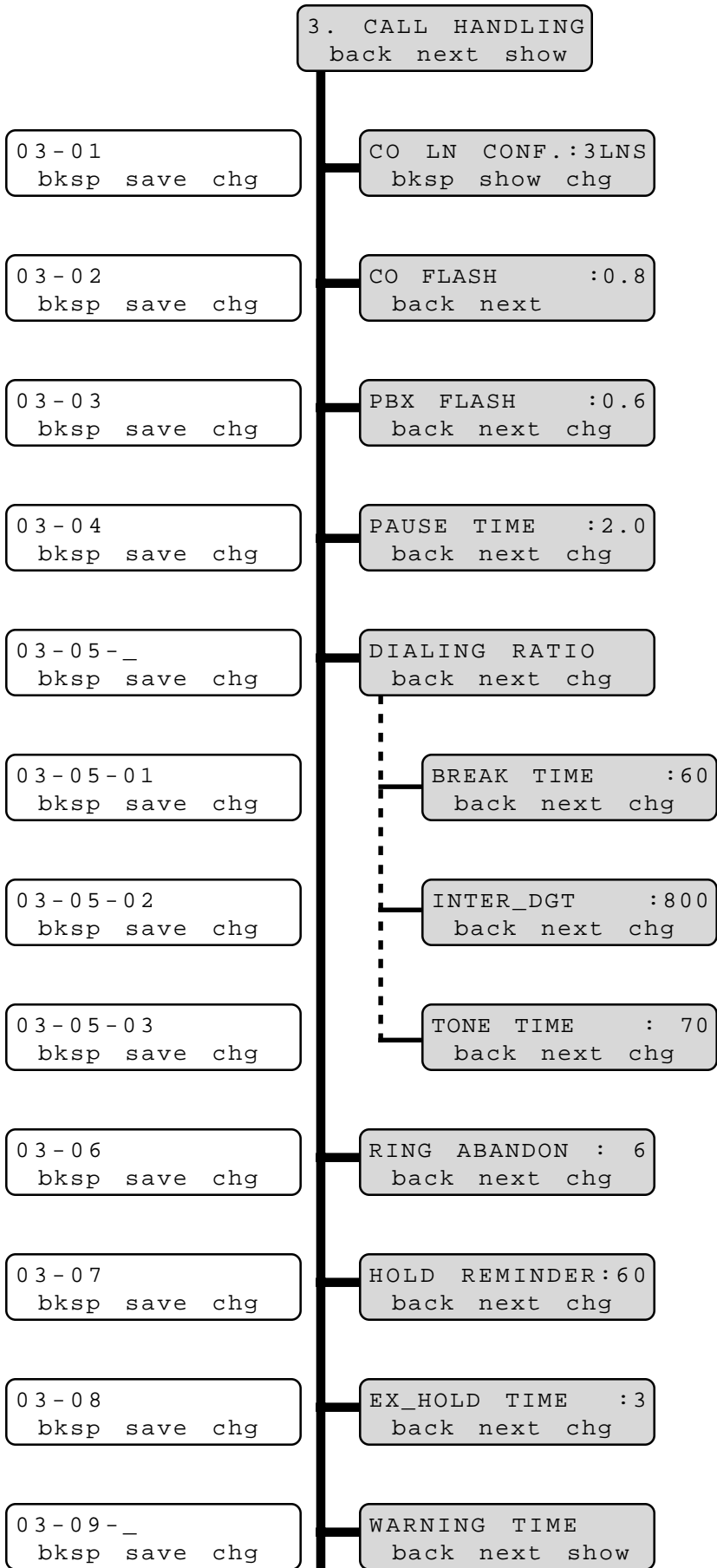
DAY
back next show

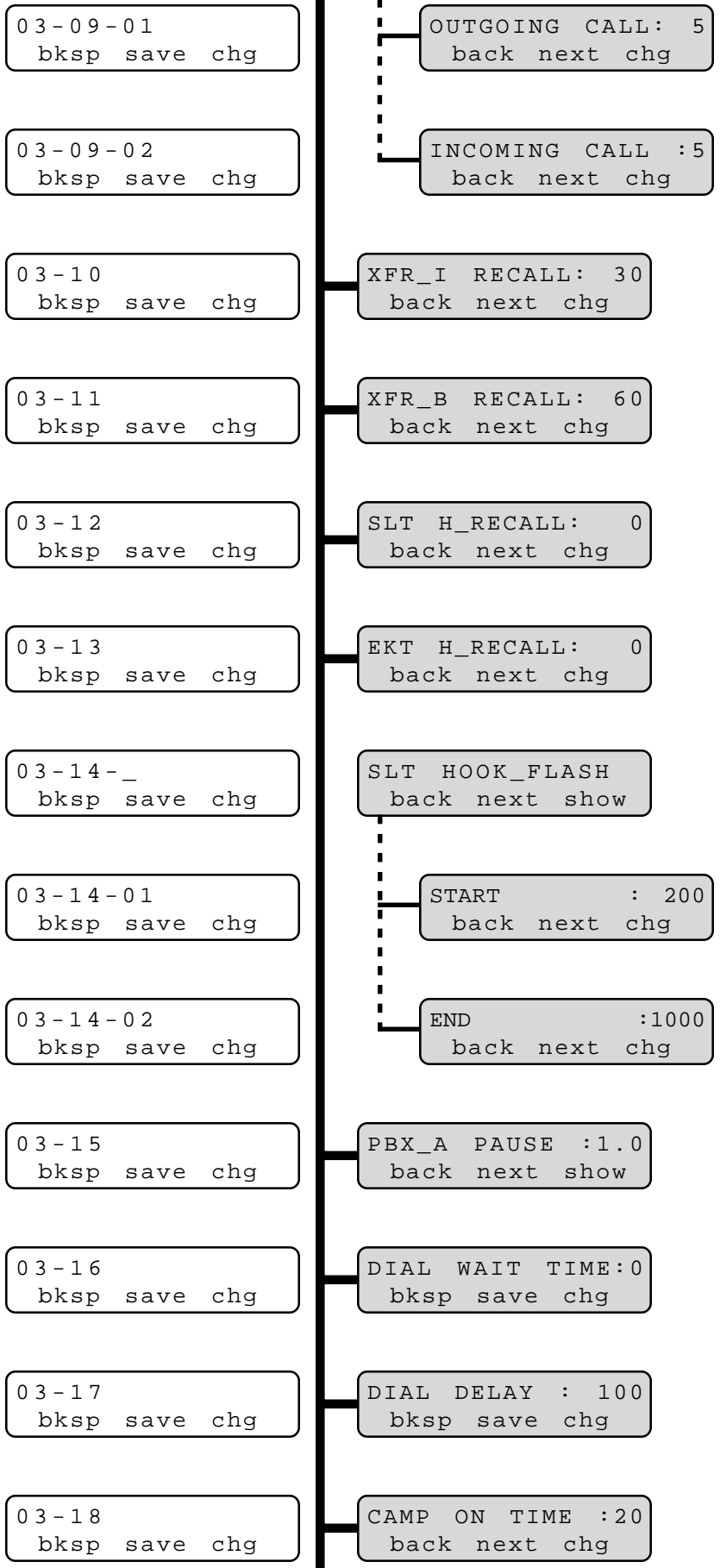
MEMBER 1:NULL
back next chg

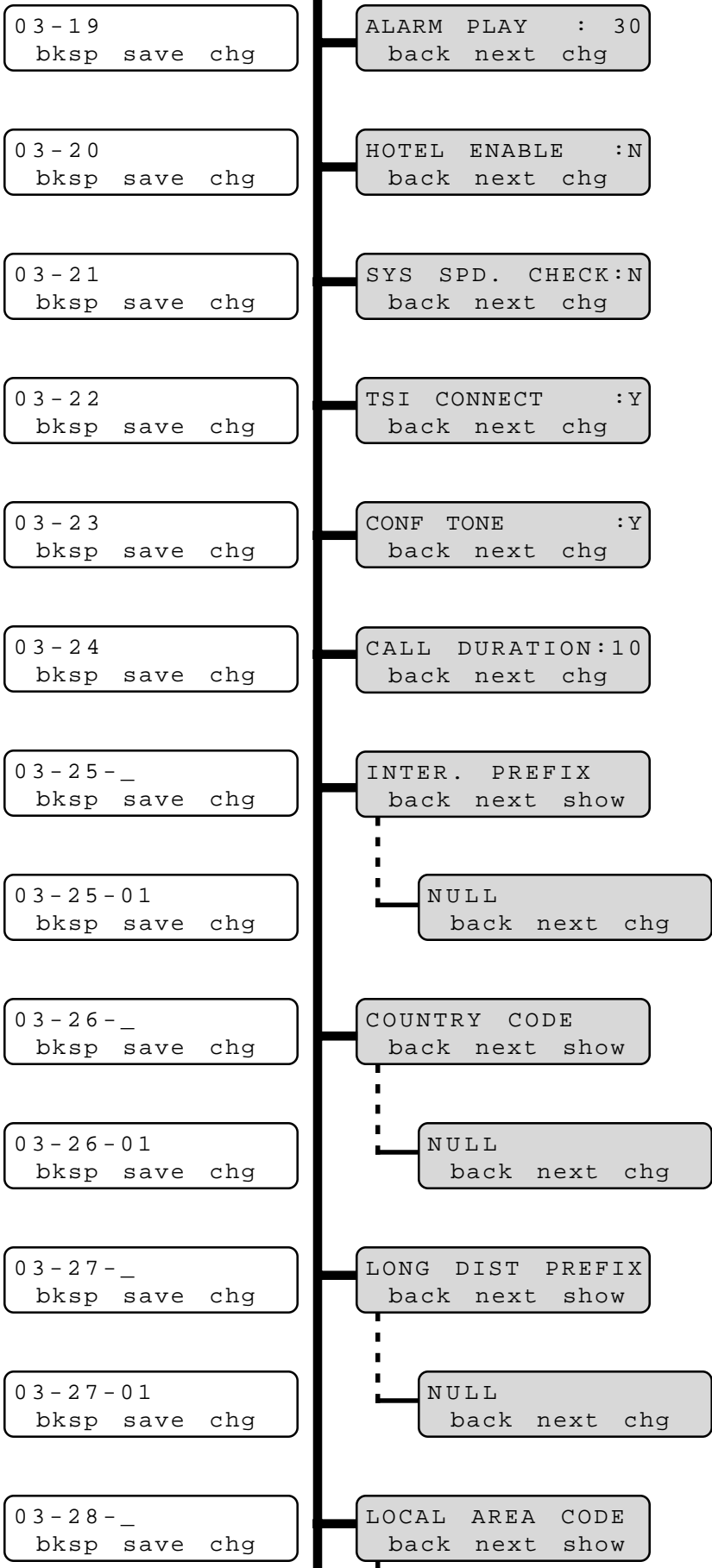
MEMBER 6:NULL
back next chg

EVE :NULL
back next chg

P-FWD NOANS:NONE
back next chg







03-28-01
bksp save chg

AREA COD 1:NULL
back next chg

03-28-02
bksp save chg

AREA PRE 1:NULL
back next chg

03-28-15
bksp save chg

AREA COD 8:NULL
back next chg

03-28-16
bksp save chg

AREA PRE 8:NULL
back next chg

03-29-_
bksp save chg

TENANT CALLING
back next show

SHOW TENANT :1
bksp show chg

03-29-1-01
bksp save chg

TO TENANT 1:Y
back next chg

03-29-1-03
bksp save chg

TO TENANT 3:Y
back next chg

SHOW TENANT :3
bksp show chg

03-29-3-01
bksp save chg

TO TENANT 1:Y
back next chg

03-29-3-03
bksp save chg

TO TENANT 3:Y
back next chg

03-30-_
bksp save chg

SMDR CALL OUTPUT
back next show

03-30-01
bksp save chg

OUTGOING CALL :Y
back next chg

03-30-02
bksp save chg

INCOMING CALL :Y
back next chg

03-30-03
bksp save chg

ACCOUNT CODE :Y
back next chg

03-31-_
bksp save chg

AUTOMATIC REDIAL
back next show

03-31-01
bksp save chg

ATTEMPTS: : 8
back next chg

03-31-02
bksp save chg

INTERVAL : 60
back next chg

03-31-03
bksp save chg

WAITING TIME :15
back next chg

03-32-_
bksp save chg

EXTERNAL FWD
back next show

03-32-01
bksp save chg

SERVICE :ALWAYS
back next chg

03-32-02
bksp save chg

TALK TIME : 5
back next chg

03-33-_
bksp save chg

VM DIALING RATIO
back next show

03-33-01
bksp save chg

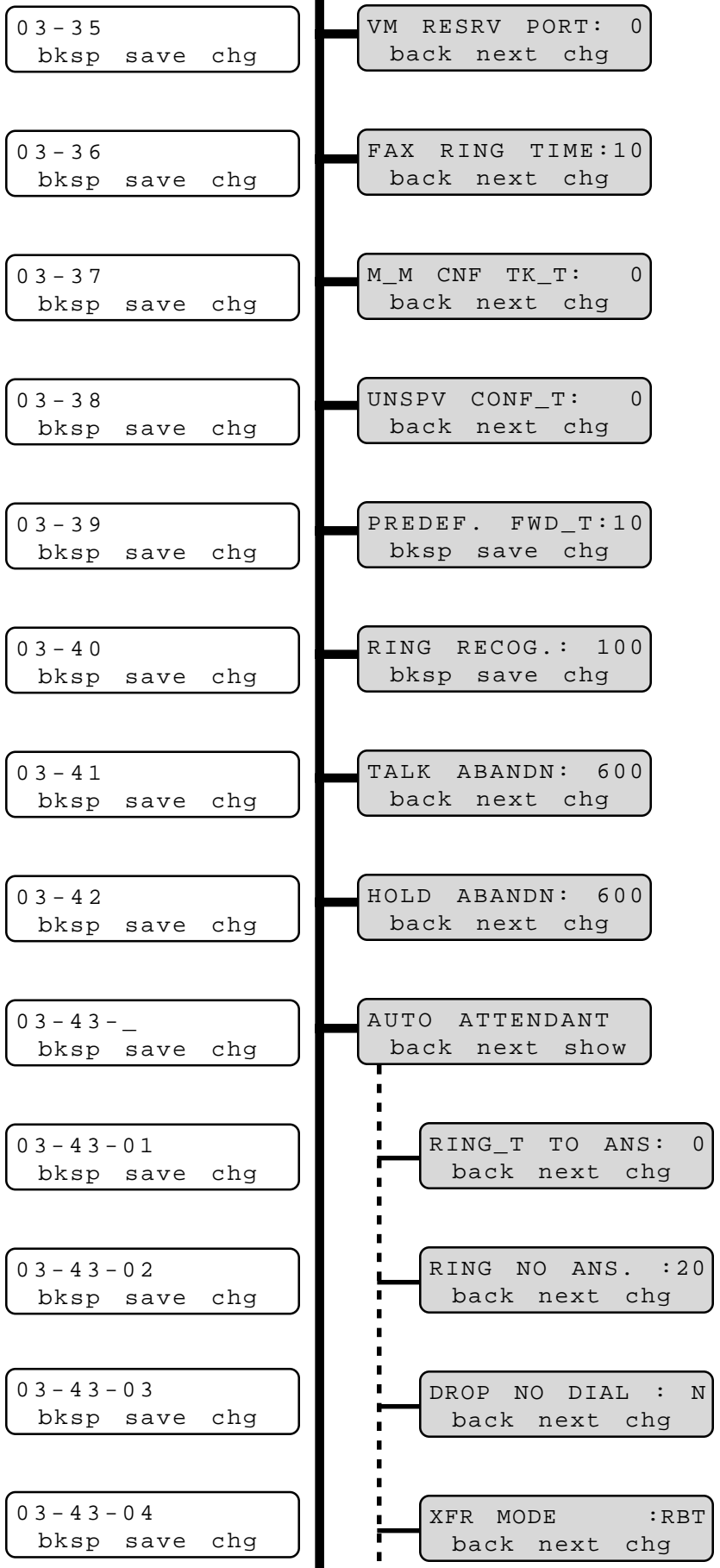
TONE TIME : 60
back next chg

03-33-02
bksp save chg

INT_DGT TIME: 60
back next chg

03-34
bksp save chg

VM MONITOR_T :10
back next chg



03-43-05
bksp save chg

WAITING COD:#
back next chg

03-43-06
bksp save chg

INQUIRY COD:*
back next chg

03-43-07
bksp save chg

DISA CODE :9
back next chg

03-43-08-_
bksp save chg

ANSWER POSITION
back next show

SHOW TENANT :1
bksp show chg

03-43-08-1-01
bksp save chg

DAY MODE :105
back next chg

03-43-08-1-02
bksp save chg

ALT MODE : 105
back next chg

03-43-08-1-03
bksp save chg

EVE MODE : 105
back next chg

SHOW TENANT :3
bksp show chg

03-43-08-3-01
bksp save chg

DAY MODE :NULL
back next chg

03-43-08-3-02
bksp save chg

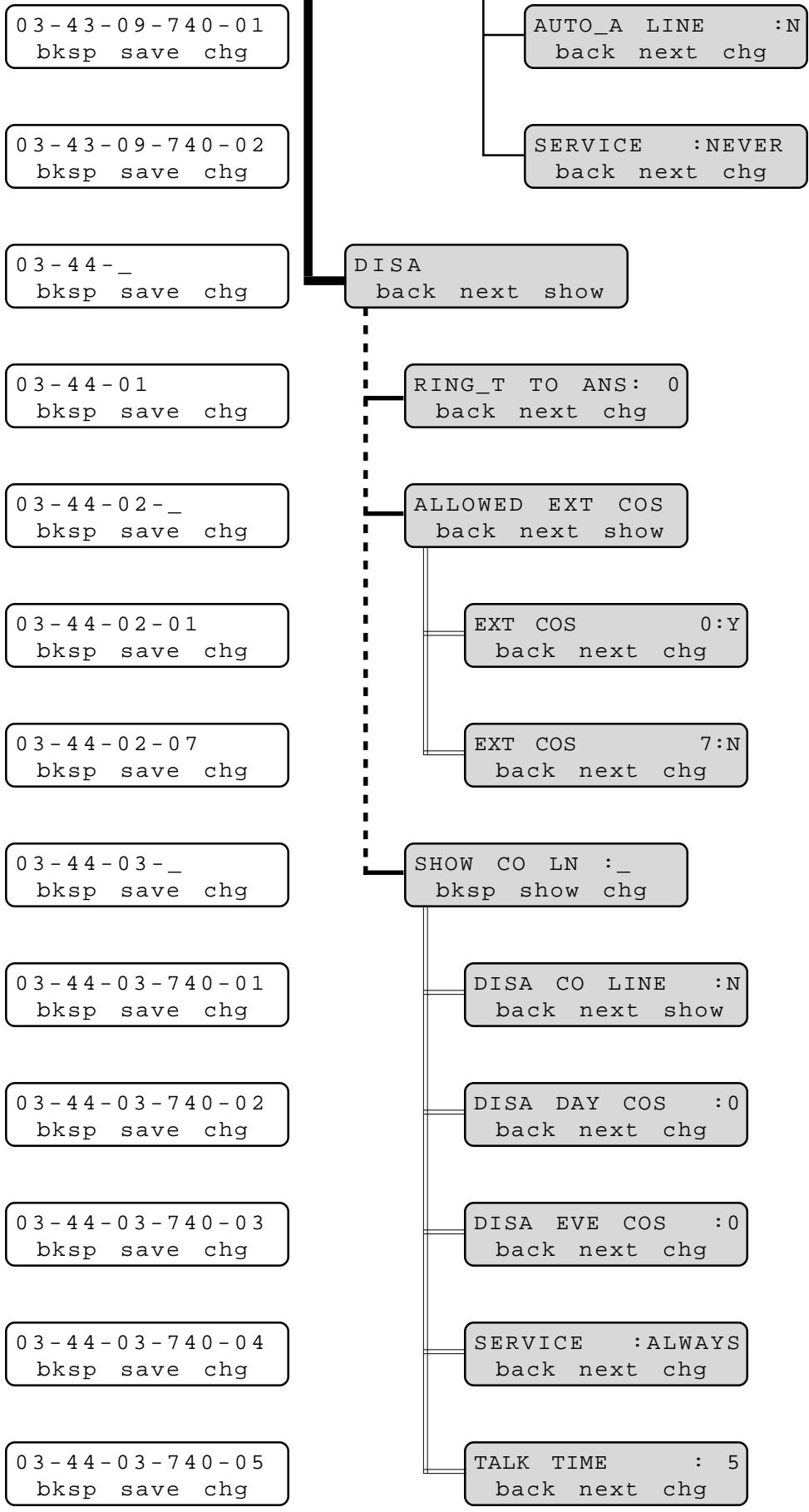
ALT MODE : NULL
back next chg

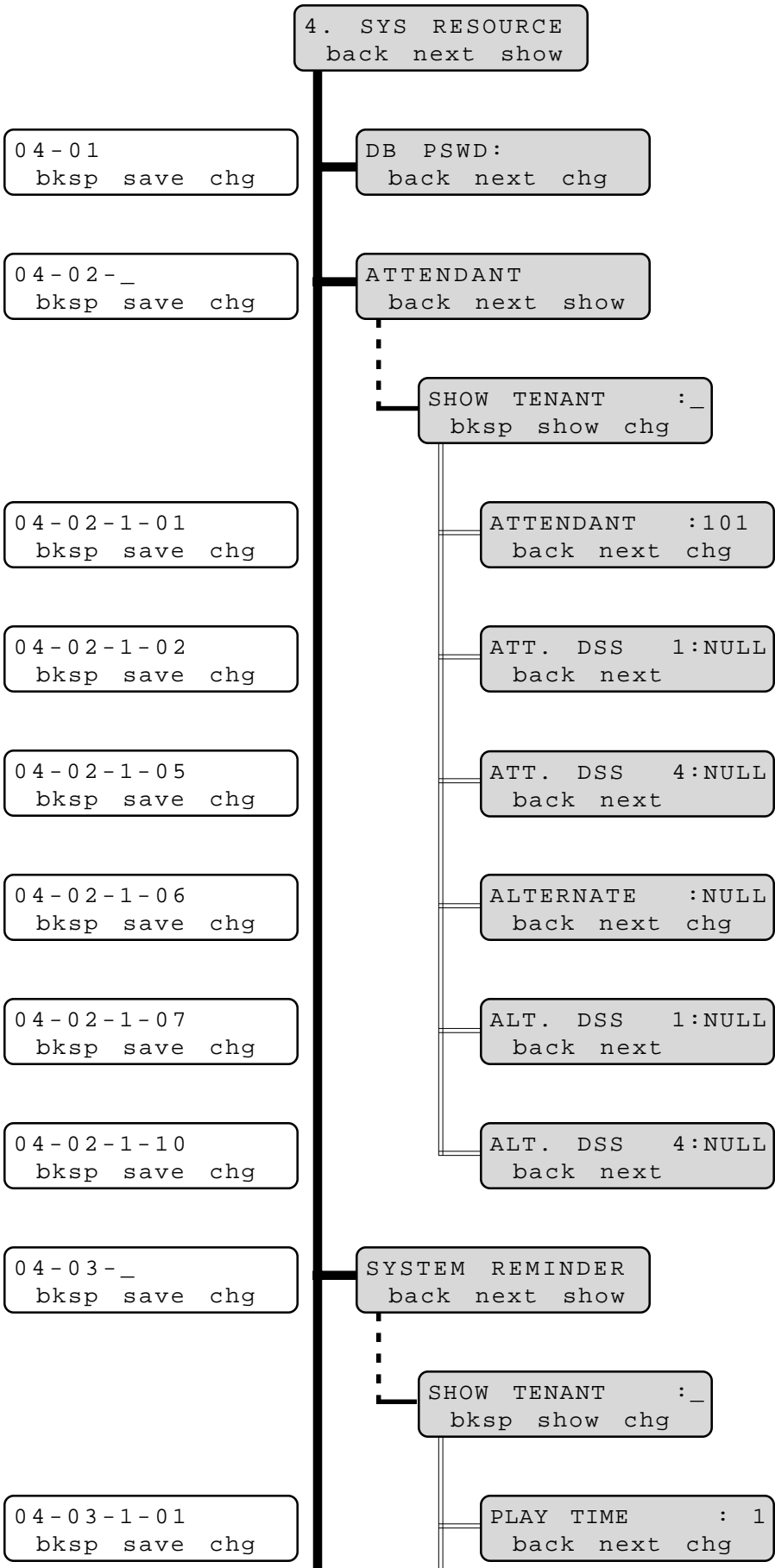
03-43-08-3-03
bksp save chg

EVE MODE : NULL
back next chg

03-43-09-_
bksp save chg

SHOW CO LN :_
bksp show chg





04-03-1-02
bksp save chg

REMINDER 1:NULL
back next chg

04-03-1-09
bksp save chg

REMINDER 8:NULL
back next chg

04-04-_
bksp save chg

USER PASSWORD
back next show

04-04-01
bksp save chg

LENGTH :4
back next chg

04-04-02-_
bksp save chg

SHOW EXT :_
bksp show chg

04-04-02-101
bksp save chg

PSWD :0000
back next

04-05-_
bksp save chg

USER NAMES
back next show

04-05-101
bksp save chg

NULL
back next chg

04-06-_
bksp save chg

CO LINE NAMES
back next show

04-06-740
bksp save chg

LINE 1
back next chg

04-07-_
bksp save chg

PREPROG. MESSAGE
back next show

04-07-01-_
bksp save chg

OUTGOING MESSAGE
back next show

04-07-01-01
bksp save chg

Call Operator
back next chg

04-07-01-06
bksp save chg

Come see me
back next chg

04-07-02-_
bksp save chg

PREMISES MESSAGE
back next show

04-07-02-01
bksp save chg

Out to lunch
back next chg

04-07-02-06
bksp save chg

On vacation
back next chg

04-08-_
bksp save chg

SPD. NO. ASSIGN.
back next show

04-08-01-_
bksp save chg

INDIVIDUAL
back next show

SHOW EXT :_
bksp show chg

04-08-01-101-01
bksp save chg

TO INCREASE:
back next chg

04-08-01-101-02
bksp save chg

TO DECREASE:
back next chg

04-08-02-_
bksp save chg

SYSTEM LIST
back next show

SHOW TENANT :_
back show chg

04-08-02-1-01
bksp save chg

04-08-02-1-02
bksp save chg

04-09-_
bksp save chg

04-09-1-_
bksp save chg

04-09-1-500
bksp save chg

04-10-_
bksp save chg

04-10-1-01
bksp save chg

04-10-1-02
bksp save chg

04-11-_
bksp save chg

04-11-1-_
bksp save chg

TO INCREASE:
back next chg

TO DECREASE:
back next chg

SYSTEM SPD. NO.
back next show

SHOW TENANT :_
bksp show chg

SPEED. NO. :_
bksp show chg

EMPTY
back next chg

ICLID NAME ASGN.
back next show

SHOW TENANT :_
bksp show chg

TO INCREASE:100
back next chg

TO DECREASE:100
back next chg

ICLID NAME PROG.
back next show

SHOW TENANT :_
bksp show chg

ENTRY NUMBER :_
bksp show chg

04-11-1-001
bksp save chg

NAME
back next show

NULL
back next chg

PHONE NUMBER
back next show

NULL
back next chg

04-12-_
bksp save chg

EXTERNAL PAGER
back next show

PAGER ID :_
bksp show chg

04-12-1-01
bksp save chg

TENANT GROUP :1
back next chg

04-12-1-02
bksp save chg

PAGING GP. 1:Y
back next chg

04-12-1-09
bksp save chg

PAGING GP. 8:N
back next chg

04-13-_
bksp save chg

LOUDBELL
back next show

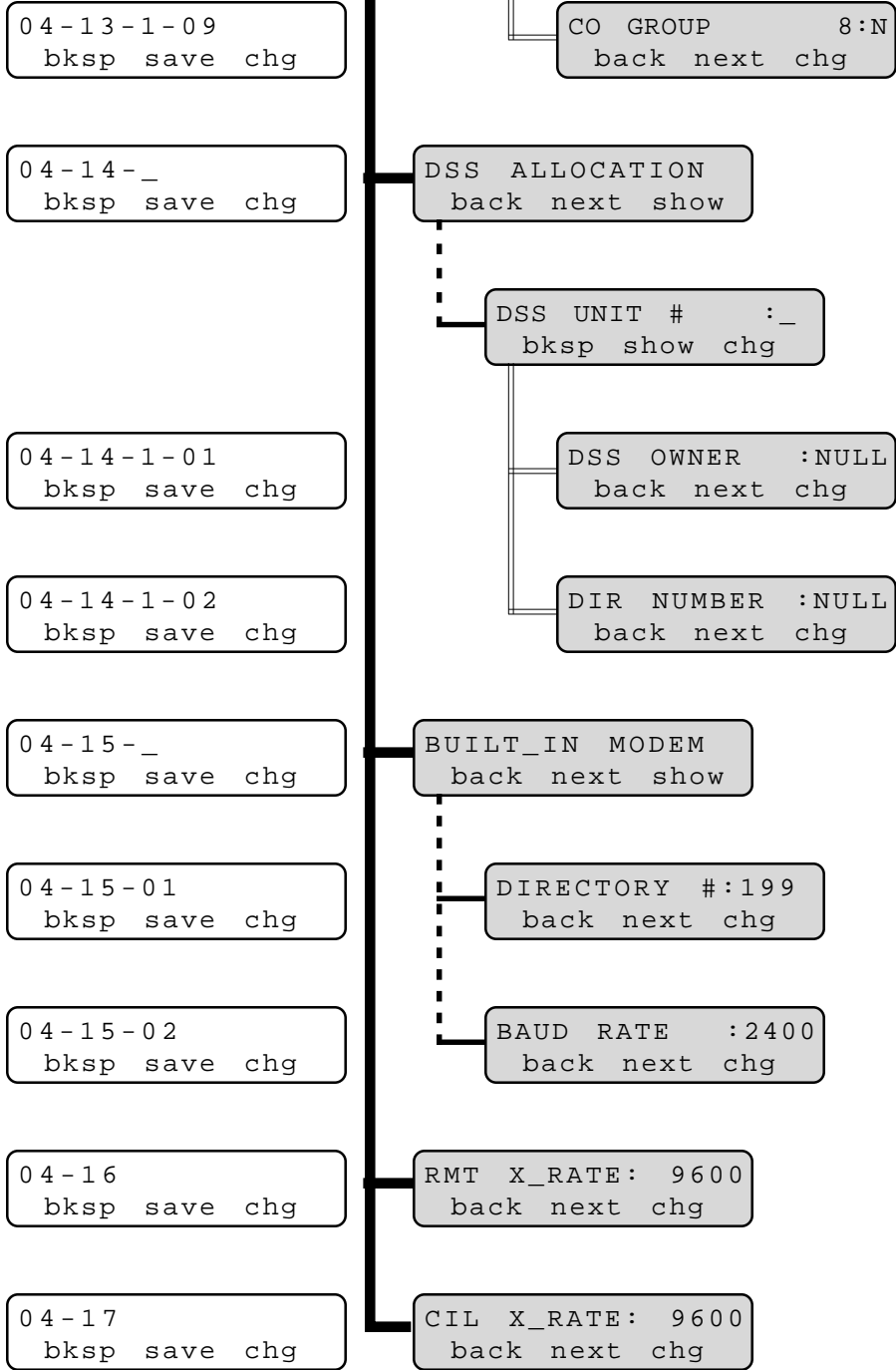
LOUDBELL ID :_
bksp show chg

04-13-1-01
bksp save chg

APPLICATION:L.B.
back next chg

04-13-1-02
bksp save chg

CO GROUP 1:N
back next chg



5. RESTRICTION
back next show

05-01-_
bksp save chg

TOLL RESTRICTION
back next show

SHOW TENANT :_
bksp show chg

05-01-1-_
bksp save chg

DGT INTERVAL :_
bksp show chg

05-01-1-001-01
bksp save chg

FROM :0
back next chg

05-01-1-001-02
bksp save chg

TO :#
back next chg

05-01-1-001-03
bksp save chg

EXTENSION COS
back next show

DAY ALLOWED
back next show

CLASS 0:Y
back next chg

CLASS 7:Y
back next chg

EVE ALLOWED
back next show

CLASS 0:Y
back next chg

CLASS 7:Y
back next chg

05-01-1-001-04
bksp save chg

CO LN COS
back next show

DAY ALLOWED
back next show

CLASS 0:Y
back next chg

CLASS 7:Y
back next chg

EVE ALLOWED
back next show

CLASS 0:Y
back next chg

CLASS 7:Y
back next chg

05-02-_
bksp save chg

ACCOUNT CODE
back next show

05-02-01
bksp save chg

LENGTH :3
back next chg

05-02-02-_
bksp save chg

PASSWORD
back next show

ID NUMBER :_
bksp show chg

05-02-02-001-01
bksp save chg

PSWD :NULL
back next chg

05-02-02-001-02
bksp save chg

COS :0
back next chg

05-02-02-001-03
bksp save chg

DISABLED :N
back next chg

6. EXT APPLICAT.
back next show

06-01-_
bksp save chg

UCD PROGRAMMING
back next show

UCD GROUP :_
bksp show chg

06-01-01-01
bksp save chg

TENANT :1
back next chg

06-01-01-02
bksp save chg

UCD ATTRIB :UCD
back next chg

06-01-01-03-_
bksp save chg

UCD GP. MEMBER
back next show

06-01-01-03-01
bksp save chg

MEMBER 1:NULL
back next chg

06-01-01-03-24
bksp save chg

MEMBER 24:NULL
back next chg

06-01-01-04
bksp save chg

HUNT METHOD:LINE
back next chg

06-01-01-05
bksp save chg

NO ANS TIME :10
back next chg

06-01-01-06
bksp save chg

OVER 1 TIMER: 0
back next chg

06-01-01-07
bksp save chg

OVER 1 DEST:NULL
back next chg

06-01-01-08
bksp save chg

OVER 2 TIMER: 0
back next chg

06-01-01-09
bksp save chg

OVER 2 DEST:NULL
back next chg

06-01-01-10
bksp save chg

OVER COUNT : 1
back next chg

06-01-01-11
bksp save chg

REROUTE DST:NULL
back next chg

06-02-_
bksp save chg

VOICE MAIL
back next show

TENANT GROUP :_
back next chg

06-02-1-01
bksp save chg

VM HUNT GROUP:24
back next chg

06-02-1-02-_
bksp save chg

PREFIX TABLE
back next show

06-02-1-02-01
bksp save chg

ICM/VM :#2
back next chg

06-02-1-02-02
bksp save chg

TRANSFER :#1
back next chg

06-02-1-02-03
bksp save chg

BUSY FWD :#3
back next chg

06-02-1-02-04
bksp save chg

NO_ANS FWD :#4
back next chg

06-02-1-02-05
bksp save chg

DIRECT FWD :#5
back next chg

06-02-1-02-06
bksp save chg

CO GREETING:#6
back next chg

06-02-1-02-07
bksp save chg

06-02-1-02-08
bksp save chg

06-02-1-03
bksp save chg

06-02-1-04
bksp save chg

06-02-1-05
bksp save chg

06-02-1-06
bksp save chg

06-03-_
bksp save chg

06-03-01
bksp save chg

06-03-08
bksp save chg

CO RECALL :#9
back next chg

UCD OVERFLW:300
back next chg

SUFFIX DGT :NULL
back next chg

RECORD DGT :#7
back next show

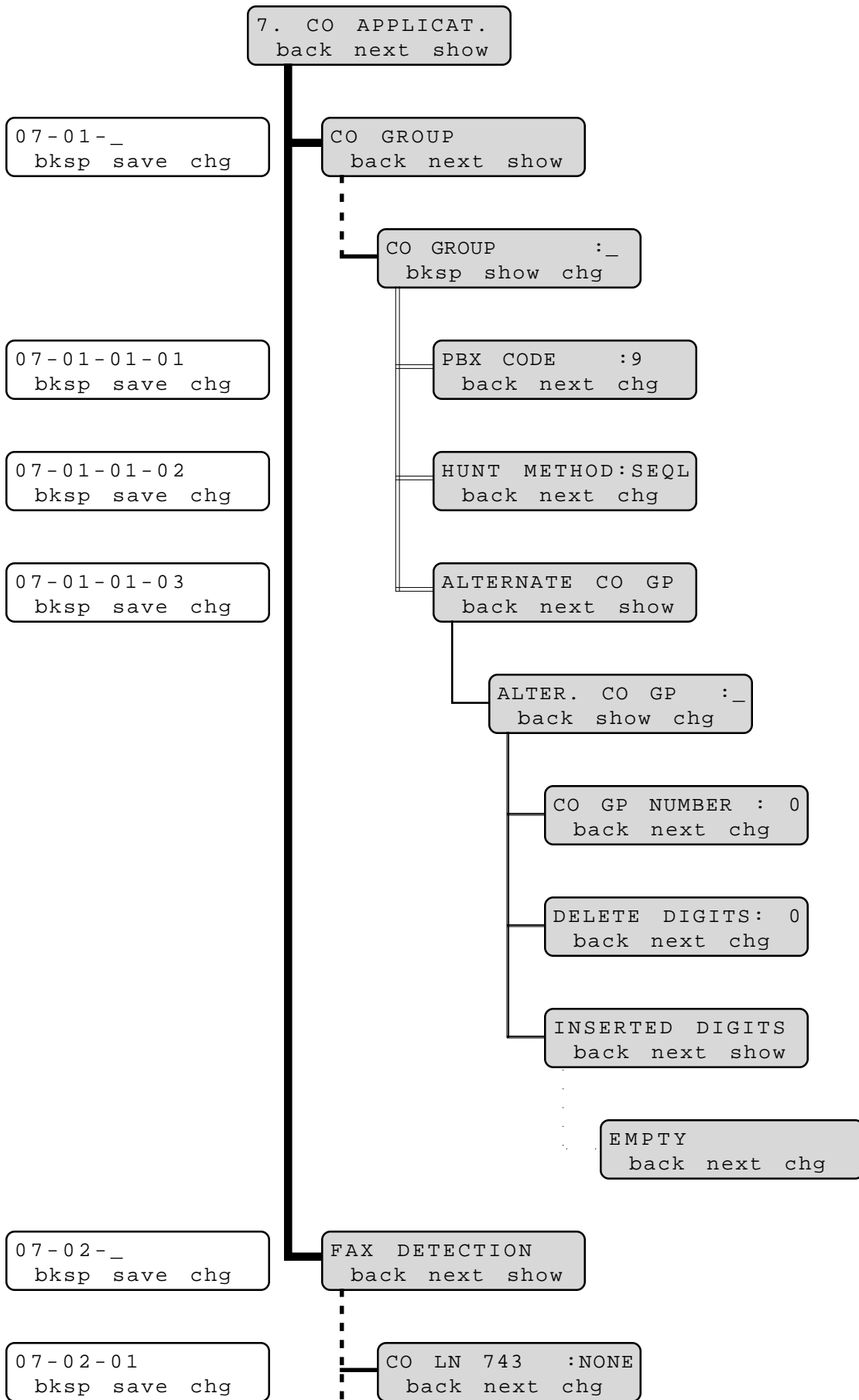
DELETE DGT :NULL
back next chg

DIS DGT:*****
back next chg

AUTO REC. MEMBER
back next show

MEMBER 1:NULL
back next chg

MEMBER 8:NULL
back next chg



07-02-02
bksp save chg

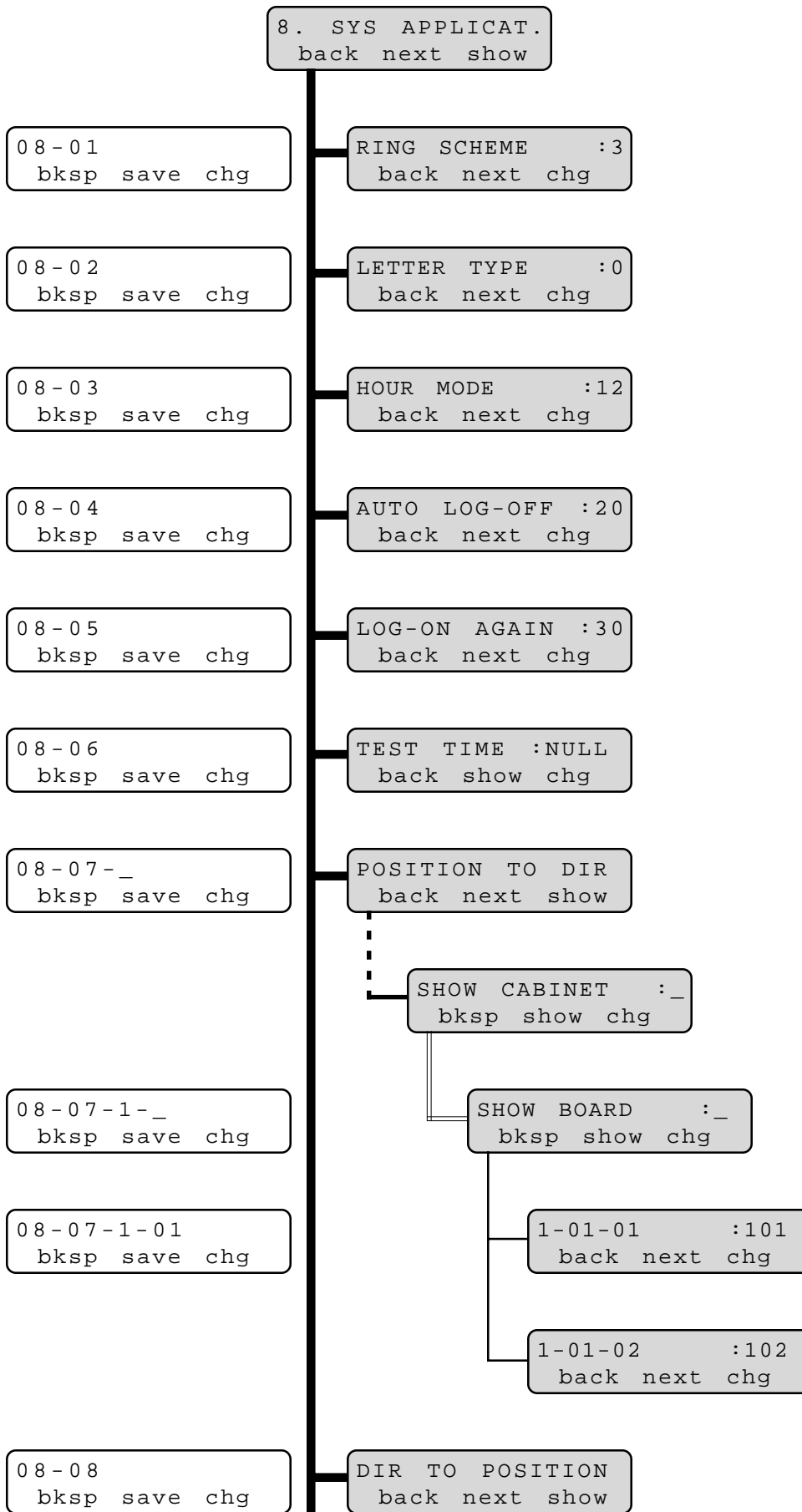
07-02-03
bksp save chg

07-02-04
bksp save chg

CO LN 747 :NONE
back next chg

CO LN 751 :NONE
back next chg

CO LN 755 :NONE
back next chg



08-09-_
bksp save chg

08-09-01-_
bksp save chg

08-09-01-01
bksp save chg

08-09-01-02
bksp save chg

08-09-01-03
bksp save chg

08-09-01-04
bksp save chg

08-09-01-05
bksp save chg

08-09-01-06
bksp save chg

08-09-01-07
bksp save chg

08-09-01-08
bksp save chg

08-09-01-09
bksp save chg

DIR NUMBER :_
bksp show chg

POSITION:1-01-01
back next

NUMBERING PLAN
back next show

CO GROUP
back next show

LENGTH 1:1
back next chg

LENGTH 2:1
back next chg

LENGTH 3:3
back next chg

LENGTH 4:3
back next show

LENGTH 5:3
back next chg

LEADING 1:9
back next chg

LEADING 2:800
back next chg

LEADING 3:NULL
back next chg

LEADING 4:NULL
back next chg

08-09-01-10
bksp save chg

LEADING 5:NULL
back next chg

08-09-02-_
bksp save chg

EXT DIR NUMBER
back next show

08-09-02-01
bksp save chg

LENGTH :3
back next chg

08-09-02-02
bksp save chg

LEADING 1:1
back next chg

08-09-02-03
bksp save chg

LEADING 2:NULL
back next chg

08-09-02-04
bksp save chg

LEADING 3:NULL
back next chg

08-09-02-05
bksp save chg

LEADING 4:NULL
back next show

08-09-02-06
bksp save chg

LEADING 5:NULL
back next chg

08-09-02-07
bksp save chg

LEADING 6:NULL
back next chg

08-09-02-08
bksp save chg

LEADING 7:NULL
back next chg

08-09-02-09
bksp save chg

LEADING 8:NULL
back next chg

08-09-03-_
bksp save chg

EXT PAGE GROUP
back next show

08-09-03-01
bksp save chg

LENGTH :3
back next chg

08-09-03-02
bksp save chg

08-09-03-03
bksp save chg

08-09-03-04
bksp save chg

08-09-04-_
bksp save chg

08-09-04-01
bksp save chg

08-09-04-02
bksp save chg

08-09-04-03
bksp save chg

08-09-04-04
bksp save chg

08-09-05-_
bksp save chg

08-09-05-01
bksp save chg

08-09-05-02
bksp save chg

08-09-05-03
bksp save chg

08-09-05-04
bksp save chg

LEADING 1:40
back next chg

LEADING 2:NULL
back next chg

LEADING 3:NULL
back next chg

EXT HUNT GROUP
back next show

LENGTH :3
back next chg

LEADING 1:41
back next chg

LEADING 2:42
back next show

LEADING 3:43
back next chg

EXT PICKUP GROUP
back next show

LENGTH :3
back next chg

LEADING 1:44
back next chg

LEADING 2:NULL
back next chg

LEADING 3:NULL
back next chg

08-09-06-_
bksp save chg

08-09-06-01
bksp save chg

08-09-06-02
bksp save chg

08-09-06-03
bksp save chg

08-09-06-04
bksp save chg

08-09-07-_
bksp save chg

08-09-07-01
bksp save chg

08-09-07-02
bksp save chg

08-09-07-03
bksp save chg

08-09-07-04
bksp save chg

08-09-08-_
bksp save chg

08-09-08-01
bksp save chg

08-09-08-02
bksp save chg

INDIV. SPD. NO.
back next show

LENGTH :3
back next chg

LEADING 1:47
back next chg

LEADING 2:48
back next chg

LEADING 3:49
back next chg

SYSTEM SPD. NO.
back next show

LENGTH :3
back next chg

LEADING 1:5
back next chg

LEADING 2:6
back next chg

LEADING 3:NULL
back next chg

CO LN DIR NUMBER
back next show

LENGTH :3
back next chg

LEADING 1:74
back next chg

08-09-08-03
bksp save chg

LEADING 2:75
back next chg

08-09-08-04
bksp save chg

LEADING 3:NULL
back next chg

08-09-09-_
bksp save chg

MUSIC SOURCE
back next show

08-09-09-01
bksp save chg

LENGTH :3
back next chg

08-09-09-02
bksp save chg

LEADING 1:771
back next chg

08-09-09-03
bksp save chg

LEADING 2:772
back next show

08-09-09-04
bksp save chg

LEADING 3:NULL
back next chg

08-09-10-_
bksp save chg

LOUDBELL
back next show

08-09-10-01
bksp save chg

LENGTH :3
back next chg

08-09-10-02
bksp save chg

LEADING 1:779
back next chg

08-09-10-03
bksp save chg

LEADING 2:NULL
back next chg

08-09-10-04
bksp save chg

LEADING 3:NULL
back next chg

08-09-11-_
bksp save chg

EXTERNAL PAGER
back next show

08-09-11-01
bksp save chg

08-09-11-02
bksp save chg

08-09-11-03
bksp save chg

08-09-11-04
bksp save chg

08-09-12-_
bksp save chg

08-09-12-01
bksp save chg

08-09-12-02
bksp save chg

08-09-12-03
bksp save chg

08-09-12-04
bksp save chg

08-09-13-_
bksp save chg

08-09-13-01
bksp save chg

08-09-13-02
bksp save chg

08-09-13-03
bksp save chg

LENGTH :3
back next chg

LEADING 1:777
back next chg

LEADING 2:NULL
back next show

LEADING 3:NULL
back next chg

VIRTUAL NUMBER
back next show

LENGTH :3
back next chg

LEADING 1:70
back next chg

LEADING 2:71
back next chg

LEADING 3:72
back next chg

CONF. ROOMS
back next show

LENGTH :3
back next chg

LEADING 1:39
back next chg

LEADING 2:NULL
back next show

08-09-13-04
bksp save chg

LEADING 3:NULL
back next chg

08-09-14-_
bksp save chg

OPERATOR CODE
back next show

08-09-14-01
bksp save chg

LENGTH :1
back next chg

08-09-14-02
bksp save chg

LEADING :0
back next chg

08-09-15-_
bksp save chg

ACCOUNT CODE
back next show

08-09-15-01
bksp save chg

LENGTH :2
back next chg

08-09-15-02
bksp save chg

LEADING :79
back next chg

08-10-_
bksp save chg

SUFFIX CODE
back next show

08-10-01
bksp save chg

ICM RING/VOICE:*
back next chg

08-10-02
bksp save chg

DND OVERRIDE :3
back next chg

08-10-03
bksp save chg

CAMP ON :4
back next show

08-10-04
bksp save chg

CALLBACK :#
back next chg

08-10-05
bksp save chg

CALL PICKUP :6
back next chg

08-10-06
bksp save chg

INTRUSION :8
back next chg

08-10-07
bksp save chg

MSG WAITING :9
back next chg

08-10-08
bksp save chg

ICM OHVA :0
back next chg

08-10-09
bksp save chg

MONITOR :1
back next chg

08-11-_
bksp save chg

CO LN COPY
back next show

08-11-01
bksp save chg

INDIVIDUAL COPY
back next show

COPY FROM :_
bksp save chg

COPY TO :_
bksp save chg

COPY TO :_
bksp save chg

08-11-02
bksp save chg

GROUP COPY
back next show

COPY FROM :_
bksp save chg

COPY TO :_
bksp save chg

COPY TO :_
bksp save chg

08-12-_
bksp save chg

EXTENSION COPY
back next show

08-12-01
bksp save chg

INDIVIDUAL COPY
back next show

COPY FROM :_
bksp save chg

COPY TO :_
bksp save chg

COPY TO :_
bksp save chg

08-12-02
bksp save chg

GROUP COPY
back next show

COPY FROM :_
bksp save chg

COPY TO :_
bksp save chg

COPY TO :_
bksp save chg

08-13-_
bksp save chg

FEATURE KEY COPY
back next show

08-13-01
bksp save chg

INDIVIDUAL COPY
back next show

COPY FROM :_
bksp save chg

COPY TO :_
bksp save chg

08-13-02
bksp save chg

COPY TO :_
bksp save chg

GROUP COPY
back next show

COPY FROM :_
bksp save chg

COPY TO :_
bksp save chg

COPY TO :_
bksp save chg

08-14-_
bksp save chg

SYSTEM TIME
back next show

08-14-01
bksp save chg

YEAR :00
back next chg

08-14-02
bksp save chg

MONTH :JAN
back next chg

08-14-03
bksp save chg

DAY :01
back next chg

08-14-04
bksp save chg

WEEKDAY :FRI
back next chg

08-14-05
bksp save chg

HOUR :01
back next chg

08-14-06
bksp save chg

MINUTE :00
bksp save chg

08-15-_
bksp save chg

TIME SWITCHING
back next show

SHOW TENANT :_
bksp show chg

08-15-1-01
bksp save chg

FOLLOW TENANT1:Y
back next chg

08-15-1-02-_
bksp save chg

SUNDAY
back next show

08-15-1-02-01
bksp save chg

ALT START: 00:00
back next chg

08-15-1-02-02
bksp save chg

ALT END : 00:00
back next chg

08-15-1-02-03
bksp save chg

EVE START :00:00
back next chg

08-15-1-02-04
bksp save chg

EVE END :08:00
bksp save chg

08-15-1-03-_
bksp save chg

MONDAY
back next chg

08-15-1-03-01
bksp save chg

ALT START: 12:00
back next chg

08-15-1-03-02
bksp save chg

ALT END : 13:00
back next chg

08-15-1-03-03
bksp save chg

EVE START :17:00
back next chg

08-15-1-03-04
bksp save chg

EVE END :08:00
back next chg

08-15-1-08-_
bksp save chg

SATURDAY
back next show

08-15-1-08-01
bksp save chg

08-15-1-08-02
bksp save chg

08-15-1-08-03
bksp save chg

08-15-1-08-04
bksp save chg

ALT START: 00:00
back next chg

ALT END : 00:00
back next chg

EVE START :00:00
back next chg

EVE END :00:00
back next chg

Extension Data Programming

Programming Parameters		New Values à		101	102	103	104	105	106	107	108
		Default	Range								
Tenant Group		1	1 / 2 / 3								
Pickup Group		1	1 - 8								
Paging Group		1	1 - 8								
Day Class		0	0 - 7								
Eve Class		0	0 - 7								
Monitor Class		5	0 - 9								
Warning Tone		N	Y / N								
Drop Call Out		N	Y / N								
Drop Call In		N	Y / N								
Intrusion Active		N	Y / N								
Intrusion Accept		Y	Y / N								
Intrusion Tone		Y	Y / N								
Off Hook Voice Announce Active		Y	Y / N								
Off Hook Voice Announce Accept		Y	Y / N								
Feature Button Disable		N	Y / N								
Paging Allow		Y	Y / N								
External Call Forward Operation		N	Y / N								
SMDR Output		Y	Y / N								
Record Allow		N	Y / N								
Port Type		EXT	EXT / VA / VM								
Directory Number Swapping		NONE	NONE / EXT#								
Line Assignment	Tenant 1	Line 1	Y	Y / N							
		Line 2	Y	Y / N							
		Line 3	Y	Y / N							
		Line 4	Y	Y / N							
		Line 5	Y	Y / N							
		Line 6	Y	Y / N							
		Line 7	Y	Y / N							
		Line 8	Y	Y / N							
Receive Assignment	Tenant 1	Line 1	Y	Y / N							
		Line 2	Y	Y / N							
		Line 3	Y	Y / N							
		Line 4	Y	Y / N							
		Line 5	Y	Y / N							

Extension Data Programming

Receive Assignment (continued)	Tenant 1	Line 6	Y	Y / N								
		Line 7	Y	Y / N								
		Line 8	Y	Y / N								
Wrong Destination			NONE	NONE / EXT#								
P Forward Busy			NONE	NONE / EXT#								
P Forward No Answer			NONE	NONE / EXT#								

CO Line Data Programming

Programming Parameters			New Values à		CO1	CO2	CO3	CO4	CO5	CO6	CO7	CO8	
			Default	Range	740	741	742	743	744	745	746	747	
Tenant Group			1	1 / 2 / 3									
CO Group			1	1 - 8									
Day Class			0	0 - 7									
Eve Class			0	0 - 7									
MOH Source			MC1	MC1 / MC2									
Dialing			TONE	TONE / PULSE									
CO Line Type			CO	CO / PBX / EMPTY / PAGE / CODEV									
Call Abandon			Y	Y/N									
Private To			NULL	NULL / EXT#									
CO Ring Type			1	1 - 8									
Privacy Release			N	Y / N									
Answer Position	Day	Member 1	101	NULL / EXT#									
		Member 2	NULL	NULL / EXT#									
		Member 3	NULL	NULL / EXT#									
		Member 4	NULL	NULL / EXT#									
		Member 5	NULL	NULL / EXT#									
		Member 6	NULL	NULL / EXT#									
	Eve	Member 1	101	NULL / EXT#									
		Member 2	NULL	NULL / EXT#									
		Member 3	NULL	NULL / EXT#									
		Member 4	NULL	NULL / EXT#									
		Member 5	NULL	NULL / EXT#									
		Member 6	NULL	NULL / EXT#									
P Forward No Answer			NONE	NONE / EXT#									

CO Line Data Programming

Programming Parameters	New Values →		CO1 740	CO2 741	CO3 742	CO4 743	CO5 744	CO6 745	CO7 746	CO8 747
	Default	Range								
Tenant Group	1	1/2/3								
CO Group	1	1-8								
Day Class	0	0-7								
Eve Class	0	0-7								
MOH Source	MC1	MC1/MC2								
Dialing	Tone	Tone/Pulse								
CO Line Type	CO	CO/PBX/Empty /Page/CodeV								
Call Abandon	Y	Y/N								
Private To	Null	Null/Ext #								
CO Ring Type	1	1-8								
Privacy Release	N	Y/N								
Answer Position Day										
Member 1	101	Null/Ext #								
Member 2	Null	Null/Ext #								
Member 3	Null	Null/Ext #								
Member 4	Null	Null/Ext #								
Member 5	Null	Null/Ext #								
Member 6	Null	Null/Ext #								
Answer Position Eve										
Member 1	101	Null/Ext #								
Member 2	Null	Null/Ext #								
Member 3	Null	Null/Ext #								
Member 4	Null	Null/Ext #								
Member 5	Null	Null/Ext #								
Member 6	Null	Null/Ext #								
P Forward No Answer	None	None/Ext #								

Call Handling

CO Line Conference		3LNS	NO / 3LNS / 2LNS	
CO Flash Time		0.8	0.1 - 3.0 (0.1 int)	
PBX Flash Time		0.2	0.1 - 3.0 (0.1 int)	
Pause Time		2.0	0.5 - 7.0 (0.5 int)	
Dialing Ratio	Break Time	60	60 / 67	
	Inter Digit	800	400 - 800 (50 int)	
	Tone Time	120	70 / 90 / 120	
	PR Time	100	20 - 300 (20 int)	
Ring Abandon		6	1 - 10	
Hold Remind		60	0 / 10 / 30 / 60 / 90	
External Hold Time		3	0 - 8	
Warning Time	Outgoing Call	5	1 - 30	
	Incoming Call	1	1 - 30	
Transfer Intercom Recall		30	16 / 30 / 60 / 90 / 120	
Transfer Busy Recall		60	16 / 30 / 60 / 90 / 120	
SLT Hold Recall		0.5	0.0 - 5.0 (0.5 int)	
EKT Hold Recall		0.5	0.0 - 5.0 (0.5 int)	
SLT Hook Flash	Start	200	60 / 100 - 1400 (100 int)	
	End	800	100 - 1500 (100 int)	
PBX A Pause		1.0	0.5 - 7.0 (0.5 int)	
Dial Wait Time		0	0 - 8	
Dial Delay		100	100 / 500 / 1000 / 1500 / 2000	
Camp On Time		10	0 - 60 (10 int)	
Alarm Play		30	10 / 30 / 60 - 600 (60 int)	
Hotel Enable		N	Y / N	
System Speed Check		N	Y / N	
TSI Connect		Y	Y / N	
Conference Tone		Y	Y / N	
Call Duration		10	1 - 25	
Intercom Prefix		NULL	NULL / 4 DIGITS	
Country Code		NULL	NULL / 4 DIGITS	
Long Distince Prefix		NULL	NULL / 3 DIGITS	
Local Area Code	Area Code 1	NULL	NULL / 5 DIGITS	
	Prefix 1	NULL	NULL / 5 DIGITS	
		NULL	NULL / 5 DIGITS	
	Area Code 8	NULL	NULL / 5 DIGITS	
	Prefix 8	NULL	NULL / 5 DIGITS	

Call Handling

Tenant Calling	Tenant 1	To Tenant 1	Y	Y / N	
		To Tenant 2	Y	Y / N	
		To Tenant 3	Y	Y / N	
	Tenant 2	To Tenant 1	Y	Y / N	
		To Tenant 2	Y	Y / N	
		To Tenant 3	Y	Y / N	
	Tenant 3	To Tenant 1	Y	Y / N	
		To Tenant 2	Y	Y / N	
		To Tenant 3	Y	Y / N	
SMDR Call Output	Outgoing Call		Y	Y / N	
	Incoming Call		N	Y / N	
Auto Redial	Attempts		8	0 - 99	
	Interval		60	30 / 60 / 90 / 120	
	Waiting Time		15	10 / 15 / 20 / 25 / 30	
External Forward	Service		ALWAYS	ALWAYS / NEVER / DAY / EVE	
	Talk Time		5	1 / 2 / 3 / 5 / 10 / 15	
VM Dialing Ratio	Tone Time		120	60 / 90 / 120 / 150	
	Int. Digit Time		120	60 / 90 / 120 / 150	
VM Monitor Time			10	10 / 20 / 30 / 40 / 50 / 60	
VM Reserve Port			0	0 - 99	
Fax Ring Time			10	10 / 20 / 30 / 40 / 50 / 60	
Conference Talk Time			0	0 - 120 (10 int)	
Unsupervised Conference Time			0	0 - 120 (10 int)	
Pre-defined Forward Time			10	5 / 10 / 15 / 20 / 25 / 30	
Ring Recognition Time			100	50 - 1500 (50 int)	
Talk Abandon Time			600	50 - 1000 (50 int)	
Hold Abandon Time			600	50 - 1000 (50 int)	
Auto Attendant	Ring Time to Answer		0	0 - 20	
	Ring No Answer		20	10 - 90 (10 int)	
	Drop No Ext #		N	Y / N	
	Transfer Mode		RBT	RBT / MOH	
	Waiting Code		#	0 - 9 / # / * / NONE	
	Inquiry Code		*	0 - 9 / # / * / NONE	
	DISA Code		9	0 - 9 / # / * / NONE	

Call Handling

Auto Attendant <i>(continued)</i>	Answer Position	Tenant 1	Day Mode	101	NULL / EXT#	
			Alt Mode	101	NULL / EXT#	
			Eve Mode	NULL	NULL / EXT#	
		Tenant 2	Day Mode	NULL	NULL / EXT#	
			Alt Mode	NULL	NULL / EXT#	
			Eve Mode	NULL	NULL / EXT#	
		Tenant 3	Day Mode	NULL	NULL / EXT#	
			Alt Mode	NULL	NULL / EXT#	
			Eve Mode	NULL	NULL / EXT#	
	CO 740 (Line 1)	Auto Attendant Line		N	Y / N	
		Service		NEVER	ALWAYS / NEVER / DAY / EVE	
	CO 755 (Line 16)	Auto Attendant Line		N	Y / N	
Service		NEVER	ALWAYS / NEVER / DAY / EVE			
DISA	Ring Time to Answer			0	0 - 99	
	Allowed Extension COS	Extension COS 0		Y	Y / N	
		Extension COS 1 - 7		N	Y / N	
	CO 740 (Line 1)	DISA CO Line		N	Y / N	
		DISA Day COS		0	0 - 7	
		DISA Eve COS		0	0 - 7	
		Service		ALWAYS	ALWAYS / NEVER / DAY / EVE	
		Talk Time		5	1 / 2 / 3 / 5 / 10 / 15	
	CO 755 (Line 16)	DISA CO Line		N	Y / N	
		DISA Day COS		0	0 - 7	
		DISA Eve COS		0	0 - 7	
		Service		ALWAYS	ALWAYS / NEVER / DAY / EVE	
		Talk Time		5	1 / 2 / 3 / 5 / 10 / 15	

System Resource

DB Password			_____	8 DIGITS	
Attendant	Tenant 1, 2, or 3	Attendant	101	NULL / EXT#	
		Alternate	NULL	NULL / EXT#	
System Reminder	Tenant 1, 2, or 3	Playtime	1		
		Reminder 1	NULL	NULL / TIME	
		Reminder 8	NULL	NULL / TIME	
User Passwords	Length		4		
	Password	Extension 101	9999	4 DIGITS	
		Extension 102	0000	4 DIGITS	
		Extension 108	0000	4 DIGITS	
User Names	Extension 101		NULL	NULL / 8 LETTERS	
	Extension 108		NULL	NULL / 8 LETTERS	
CO Line Names	740 (Line 1)		Line 1	NULL / 8 LETTERS	
	747 (Line 8)		Line 8	NULL / 8 LETTERS	
Preprogrammed Messages	Out	Message 1		NULL / 16 LETTERS	
		Message 6		NULL / 16 LETTERS	
	In	Message 1		NULL / 16 LETTERS	
		Message 6		NULL / 16 LETTERS	
Speed Number Assignments	Individual	Extension 101	20	0 - 50 (10 inc)	
		Extension 108	20	0 - 50 (10 inc)	
	Common	Tenant 1	200	0 - 200 (20 inc)	
		Tenant 2	0	0 - 200 (20 inc)	
		Tenant 3	0	0 - 200 (20 inc)	
	System Speed Dial Numbers	Tenant 1 - 3	500	NULL	NULL / 16 DIGITS
699			NULL	NULL / 16 DIGITS	
Caller ID Name Assignment	Tenant 1		100	0 - 100 (10 inc)	
	Tenant 2		0	0 - 100 (10 inc)	
	Tenant 3		0	0 - 100 (10 inc)	

System Resource

Caller ID Name Programming	Tenant 1	CID Entry 1 - 100	Name	NULL	NULL / 14 LETTERS	
			Phone Number	NULL	NULL / 16 DIGITS	
	Tenant 2	CID Entry 1 - 100	Name	NULL	NULL / 14 LETTERS	
			Phone Number	NULL	NULL / 16 DIGITS	
	Tenant 3	CID Entry 1 - 100	Name	NULL	NULL / 14 LETTERS	
			Phone Number	NULL	NULL / 16 DIGITS	
Music Source	Source ID 1	Application		BOTH	BOTH / BGM / MOH	
		Tenant Group 1		Y	Y / N	
		Tenant Group 2		Y	Y / N	
		Tenant Group 3		Y	Y / N	
	Source ID 2	Application		BOTH	BOTH / BGM / MOH	
		Tenant Group 1		Y	Y / N	
		Tenant Group 2		Y	Y / N	
		Tenant Group 3		Y	Y / N	
	External Pager ID 1	Tenant Group		1	1 / 2 / 3	
Page Group 1		Y	Y / N			
Page Group 8		Y	Y / N			
LoudBell ID 1	Type		L.B.	L.B. / M.S1 / M.S2 / E.P1 / E.P2		
	CO Group 1		N	Y / N		
	CO Group 8		N	Y / N		
DSS Allocation	Unit 1	Owner		NULL	NULL / EXT#	
		Directory Number		NULL	NULL / EXT#	
	Unit 12	Owner		NULL	NULL / EXT#	
		Directory #		NULL	NULL / EXT#	
Built-in Modem	Directory Number		199	NULL / EXT#		
	BAUD Rate		2400	1200 / 2400		
Remote Programming Transmit Rate			9600	1200 / 2400 / 4800 / 9600 / 19200		
Caller ID Logging Transmit Rate			9600	1200 / 2400 / 4800 / 9600 / 19200		

Toll Restriction

Toll Restriction	Tenant 1 - 3	Digit Interval 1	From		0				
			To		#				
			Extension COS	Day Allowed	Class 0	Y			
					Class 7	Y			
				Eve Allowed	Class 0	Y			
					Class 7	Y			
			Digit Interval 100	From		NULL			
		To		NULL					
		Extension COS		Day Allowed	Class 0	Y			
					Class 7	Y			
				Eve Allowed	Class 0	Y			
					Class 7	Y			
Account Code	Length				3	2 - 8			
	Password 1	Password			NULL	NULL / DIGITS			
		Class Of Service			0	0 - 7			
		Disabled			N	Y / N			
	Password 600	Password			NULL	NULL / DIGITS			
		Class of Service			0	0 - 7			
Disabled			N	Y / N					

Extension Applications

Uniform Call Distribution Programming	UCD Group 1 - 24	Tenant	1	1 - 3		
		UCD Attribute	UCD	UCD / V.A.		
		UCD Group Member 1	NULL	NULL / EXT#		
		UCD Group Member 24	NULL	NULL / EXT#		
		Hunt Method	LINE	LINE / DIST / ALL		
		No Answer Time	10	5 - 60		
		Overflow 1	Timer	0	0 - 255	
			Destination	NULL	NULL / EXT#	
		Overflow 2	Timer	0	0 - 255	
			Destination	NULL	NULL / EXT#	
		Overflow Count	2	1 - 128		
Reroute Destination	NULL	NULL / EXT#				
Voice Mail	Tenant 1 - 3	VM Hunt Group	0	0 - 24		
		Prefix Digits	Intercom / VM	#2	4 DIGITS	
			Transfer	#1	4 DIGITS	
			Busy Forward	#3	4 DIGITS	
			No Answer Forward	#4	4 DIGITS	
			Direct Forward	#5	4 DIGITS	
			CO Greeting	#6	4 DIGITS	
			CO Recall	#9	4 DIGITS	
			UCD Overflow	300	4 DIGITS	
		Suffix Digit	NULL	2 DIGITS		
		Record Digit	#7	4 DIGITS		
Delete Digit	NULL	4 DIGITS				
Disconnect Digit	*****	8 DIGITS				
Auto Recording Member	Member 1	NULL	NULL / EXT#			
	Member 8	NULL	NULL / EXT#			

CO Applications

CO Group 1 - 8	PBX Code		0	0 - 9999	
	Hunt Method		SEQL	SEQL / SEQF / RAN	
	Alternate CO Group 1- 8	Group Number	0	0 - 24	
		Delete Digits	0	0 - 16	
		Insert Digits	EMPTY	EMPTY / 16 DIGITS	
	Swap with	9	9 / 800 - 809		
Fax Detection	743 (CO Line 4) Destination on detection		NONE	NONE / EXT #	
	747 (CO Line 8) Destination on detection		NONE	NONE / EXT #	
	751 (CO Line 12) Destination on detection		NONE	NONE / EXT #	
	755 (CO Line 16) Destination on detection		NONE	NONE / EXT #	

System Applications

Ring Scheme								
Letter Type								
Hour Mode								
Position to Dir	Cabinet (1 - 2)	Board (1 - 4)					EXT#	
Numbering Plan	CO Group	Length 1						
		Length 5						
		Leading 1						
		Leading 5						
		Extension Dir Number	Length					
			Leading 1					
			Leading 8					
		Extension Page Group	Length					
			Leading 1					
			Leading 2					
			Leading 3					
		Extension Hunt Group	Length					
			Leading 1					
			Leading 2					
			Leading 3					
		Extension Pickup Group	Length					
			Leading 1					
			Leading 2					
			Leading 3					
		Individual Speed Dial Numbers	Length					
			Leading 1					
			Leading 2					
			Leading 3					
		Common Speed Dial Numbers	Length					
			Leading 1					
			Leading 2					
			Leading 3					

System Applications

		CO Line Dir Numbers	Length				
			Leading 1				
			Leading 2				
			Leading 3				
		Music Source	Length				
			Leading 1				
			Leading 2				
			Leading 3				
		Loudbell	Length				
			Leading 1				
			Leading 2				
			Leading 3				
		External Pager	Length				
			Leading 1				
			Leading 2				
			Leading 3				
		Virtual Number	Length				
			Leading 1				
			Leading 2				
			Leading 3				
		Conference Rooms	Length				
			Leading 1				
			Leading 2				
			Leading 3				
		Operator Code	Length				
			Leading				
		Account Code	Length				
			Leading				
	Suffix Code	ICM Ring / Voice	ICM Ring / Voice				
		DND Override	DND Override				
		Camp On	Camp On				
		Callback	Callback				
		Call Pickup	Call Pickup				
		Intrusion	Intrusion				
		Message Waiting					